

1106321

KOINE4 HIGH FLOW 400V 50HZ EVO

3238362_1106321_R01W - R01W (4/9/2023)



Access Platform Division

Via San Francesco d'Assisi, 8 - 46020 Pegognaga (Mantova) - ITALY Tel. +39 0376
554011 - Fax +39 0376 559855

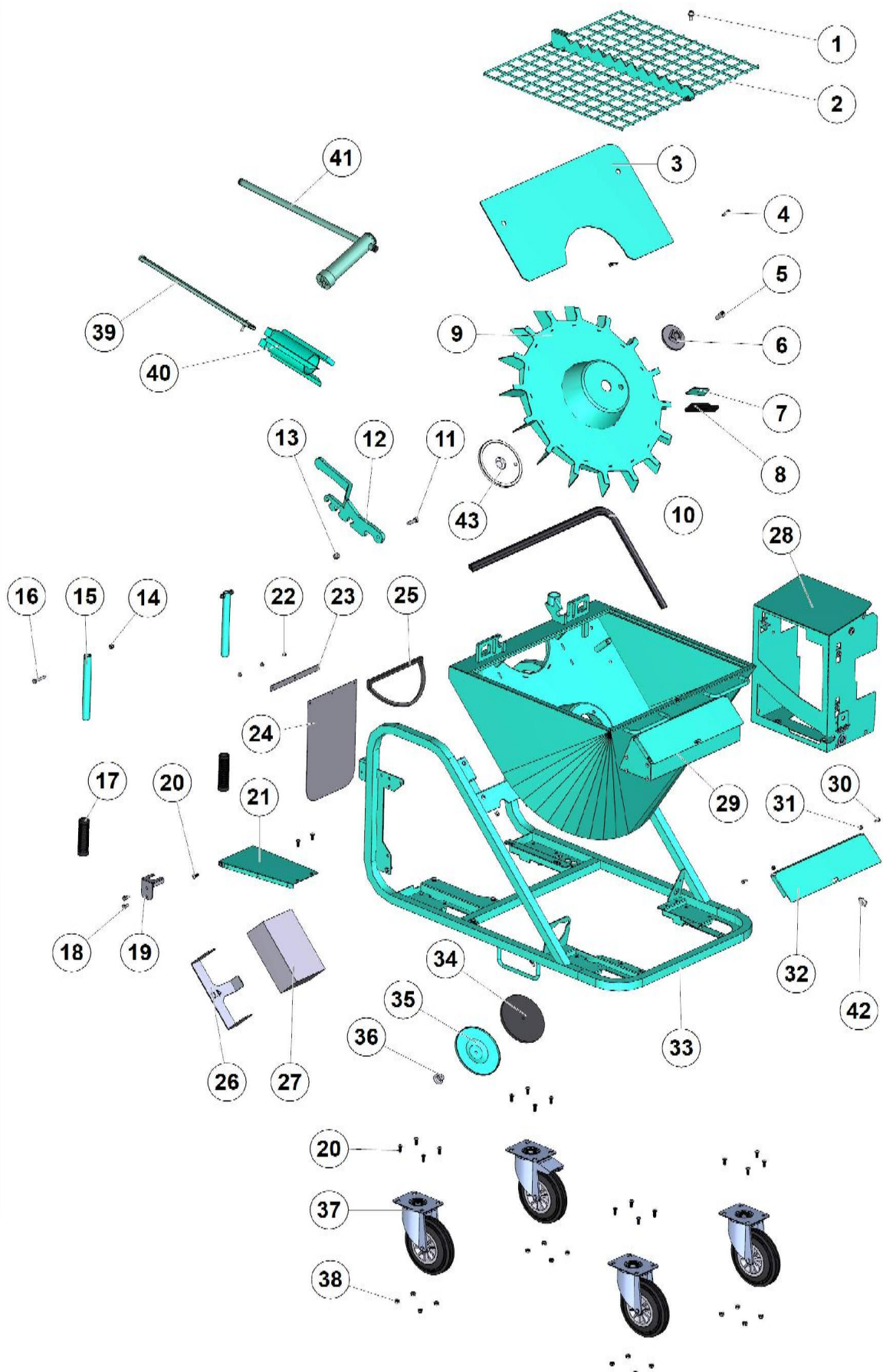
www.imergroup.com

Building Equipment Division

Via della Meccanica, 39 (Zona Industriale Sentino) - 53040 Rapolano Terme
(Siena) - ITALY - Tel. +39 0577 97341 - Fax +39 0577 704077

www.imergroup.com

www.imerglobalcustomercare.com

FRAME




N.	CODE	DESCRIPTION	UM	QTY
1	3238339	SCREW/SAW		1.0
10	3238337	GASKET		1.0
11	2222073	SCREW/MN		1.0
12	3238295	LOCKING SHEET		1.0
13	2223920	SELF-LOCKING NUT		1.0
14	2223923	LOCK NUT		2.0
15	3238287	HANDLE		2.0
16	2222176	SCREW		2.0
17	3210954	HANDLE		2.0
18	2222064	SCREW		2.0
19	3300080			1.0
2	3238270	KOINE 4 MESH		1.0
20	3237650	SCREW TCBEI 7380 M8X20Z 10.9		19.0
21	3238284	SHEET		1.0
22	2288788	Self-tapping screw		3.0
23	3224150	REAR APRON SHEET		1.0
24	3224148	REAR APRON		1.0
25	3223995	SEAL		1.0
26	3300139			1.0
27	1107012	KIT IMERVIEW 4.0 KOINE DUAL		1.0
28	3238341	FRAME		1.0

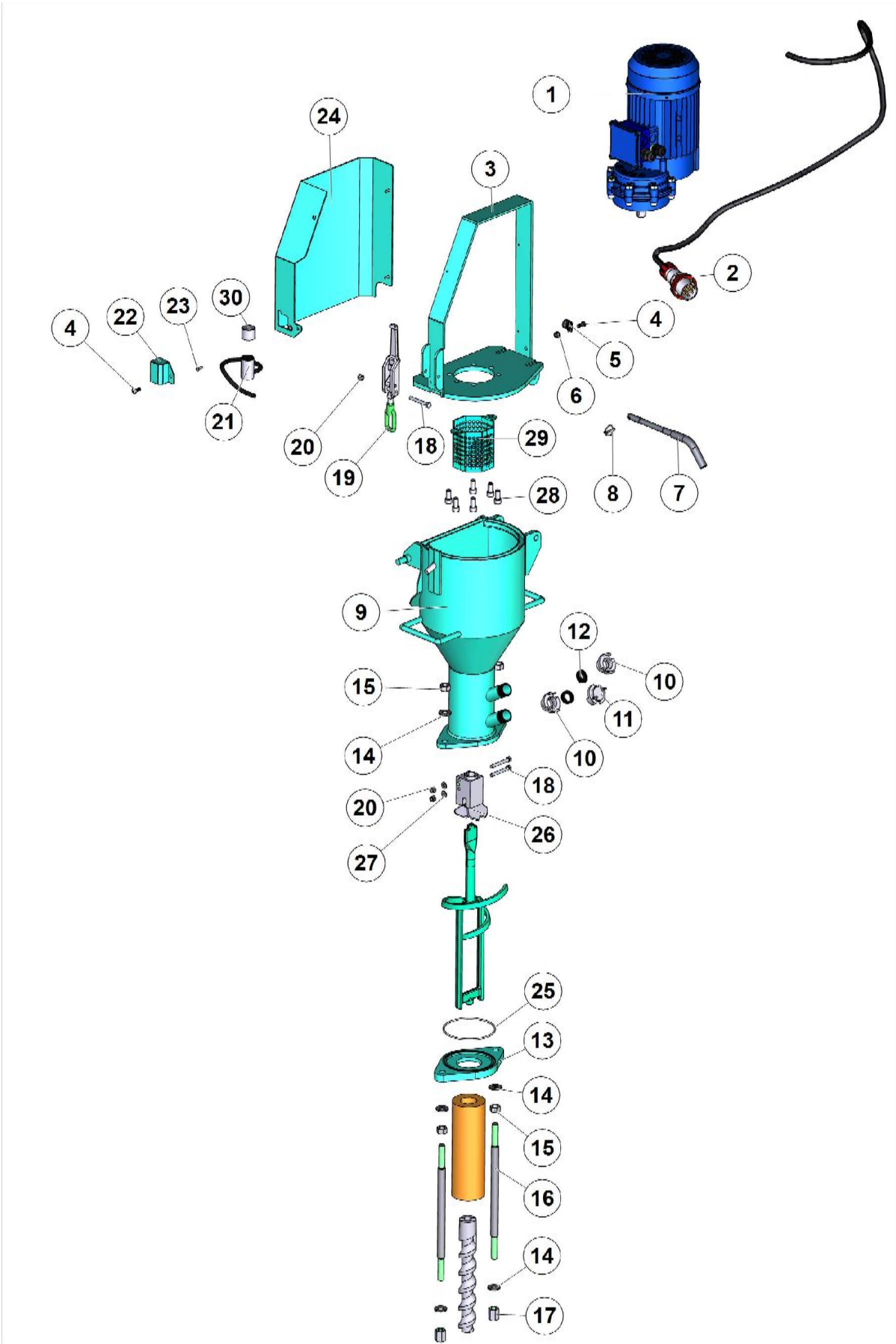


N.	CODE	DESCRIPTION	UM	QTY
29	3238340	FRAME		1.0
3	3238274	DUST SHEET		1.0
30	2222002	SCREW		2.0
31	2223924	NUT		2.0
32	3300470	PLATE		1.0
33	3238240	FRAME		1.0
34	3223366	DUST OUTLET DOOR SEAL		1.0
35	3223378	PLUG		1.0
36	3207209	EYEBOLT		1.0
37	3223422	FREE RUBBER WHEEL D.200X70		4.0
38	3230237	NUT		16.0
39	3223347	VERTICAL SECTION		1.0
4	3224628	SPLIT PIN		2.0
40	3223349	SCRAPER		1.0
41	3223354	WRENCH		1.0
42	3300472			1.0
43	3223377	WHEEL SUPPORT		1.0
5	3200389	SCREW TCEI 5931 12X 25 Z		1.0
6	3223376	FLANGE		1.0
7	3238334	PLATE		1.0
8	3238336	SCRAPER		1.0



N.	CODE	DESCRIPTION	UM	QTY
9	3238264	CELL WHEEL		1.0

MIXING CHAMBER



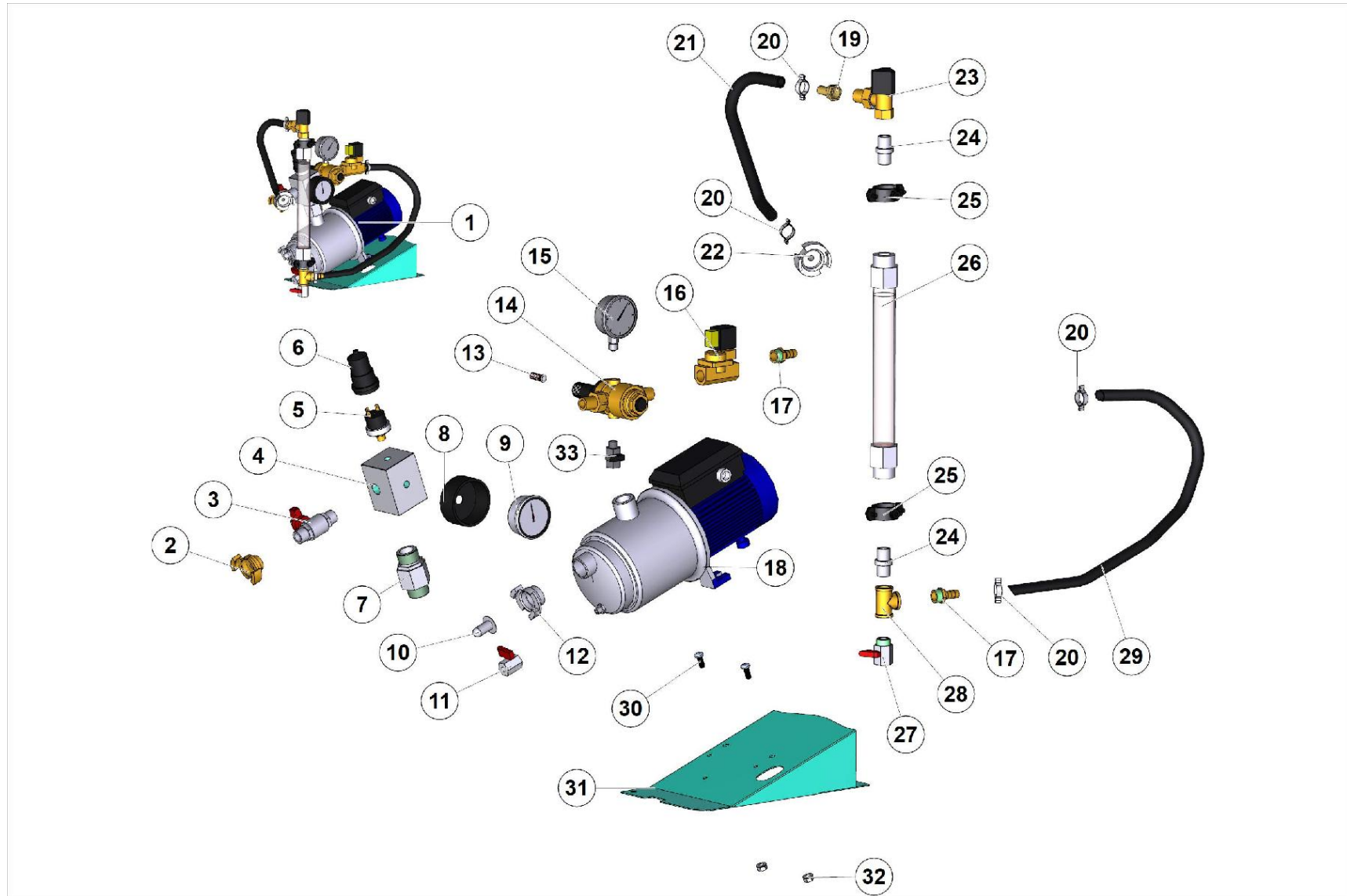


N.	CODE	DESCRIPTION	UM	QTY
1	3228422	GEARMOTOR		1.0
10	3223428	QUICK CONNECTOR		2.0
11	3223429	CAP		1.0
12	3223697	GASKET/MORTAR PUMP		2.0
13	3238313	SCREW FLANGE		1.0
14	2224640	WASHER		6.0
15	2223806	NUT		4.0
16	3238315	KOINE ROD LOWER FLANGE GALVANIZED NUT		2.0
17	3224395	NUT M.16		2.0
18	2222072	SCREW		2.0
19	3223717	CLOSING HANDLE		1.0
2	3228574	ENGINE POWER CABLE KOINE 4/5/35		1.0
20	2223923	LOCK NUT		3.0
21	3226120	SENSOR		1.0
22	3238349	SHEET		1.0
23	2222465	SCREW		1.0
24	3238351	SHEET		1.0
25	3224356	RING/MORTAR PUMP		1.0
26	3223352	TERMINAL		1.0
27	2224140	ROLLER 6593		2.0
28	3200389	SCREW TCEI 5931 12X 25 Z		6.0



N.	CODE	DESCRIPTION	UM	QTY
29	3228425	TERMINAL PROTECTION KOINE 4-5		1.0
3	3238308	MOTOR SUPPORT		1.0
30	3224243	BUSHING		1.0
4	3237650	SCREW TCBEI 7380 M8X20Z 10.9		2.0
5	3205491	BAND D1-B20-V9-FOR8,4D.I20		1.0
6	3230237	NUT		1.0
7	3238317	CHAMBER PIN		1.0
8	3224628	SPLIT PIN		1.0
9	3238297	MIXING CHAMBER		1.0

WATER GROUP



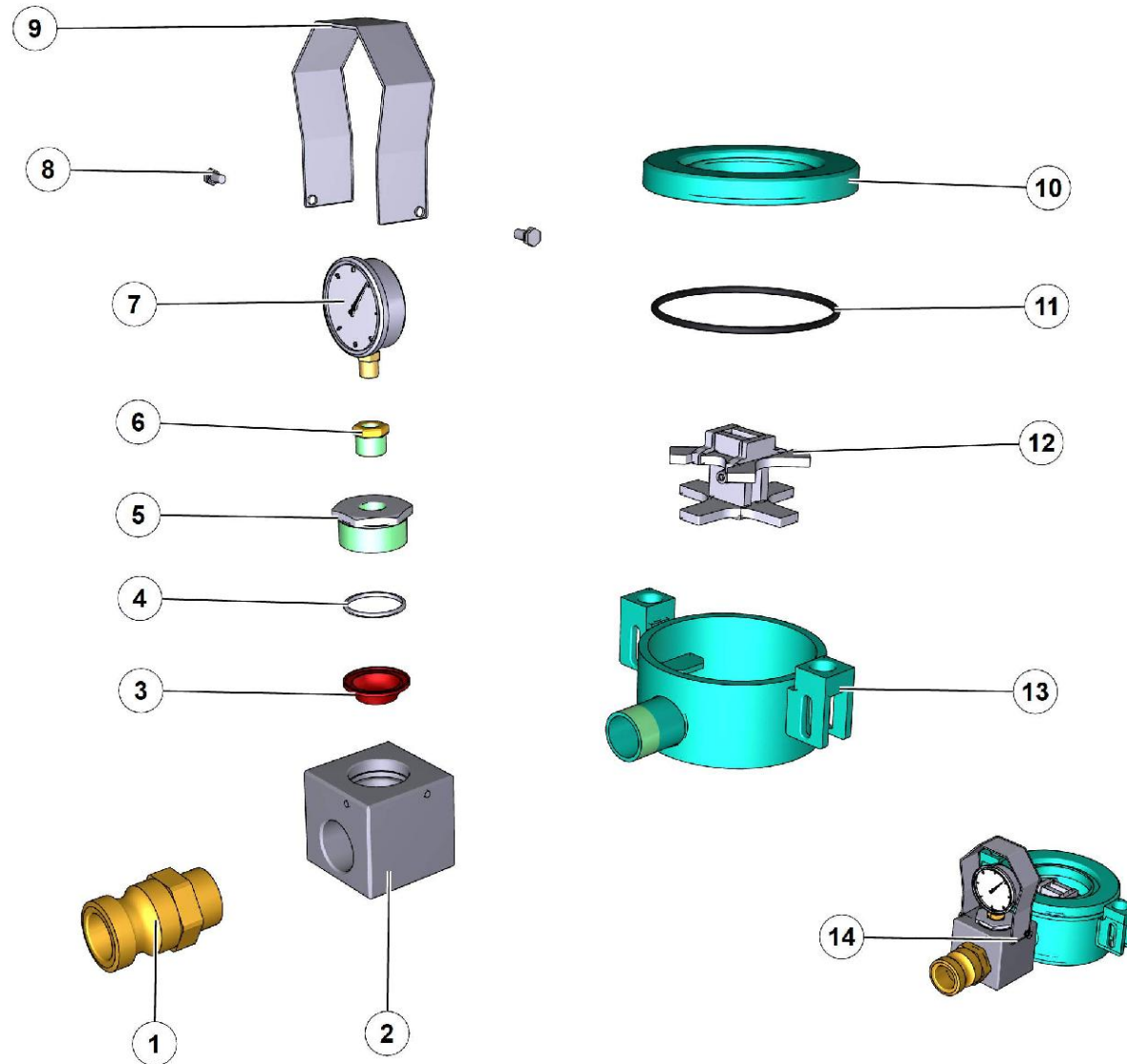


N.	CODE	DESCRIPTION	UM	QTY
1	3300190	WATER SYSTEM KOINE HF 50 HZ		1.0
10	3223639	WATER FILTER/MORTAR PUMP		1.0
11	3223620	VALVE		1.0
12	3223722	MALE QUICK COUPLING/MORTAR PUMP		1.0
13	3226729	FILTER		1.0
14	3223629	PRESSURE REDUCTOR		1.0
15	3223626	PRESSURE GAUGE		1.0
16	3228388	SOLENOID VALVE		1.0
17	3223613	HOSE CLAMP/SCREW PUMP		2.0
18	3234685	PAINTED WAGNER SPIN 15 BLENDER		1.0
19	3224169	HOSE FITTING		1.0
2	3224382	QUICK COUPLING		1.0
20	3223638	RING CLIP		4.0
21	3223635	WATER PIPE DIAM. 13 15BAR L 40 CM		1.0
22	3223615	RAPID CONNECTION/SCREW PUMP		1.0
23	3223627	VALVE		1.0
24	3224362	NIPPLE		2.0
25	3224352	'COLLAR 1" '		2.0
26	3236064	'FLOW METER 3/4" 250/2500 L/h KTR'		1.0
27	3223622	VALVE		1.0
28	3223617	CONNECTOR		1.0



N.	CODE	DESCRIPTION	UM	QTY
29	3225848	WATER HOSE		1.0
3	3238333	VALVE		1.0
30	3237650	SCREW TCBEI 7380 M8X20Z 10.9		2.0
31	3238282	SHEET		1.0
32	3230237	NUT		2.0
33	3224206	BALL VALVE		1.0
4	3238332	DISTRIBUTOR BLOCK		1.0
5	3223630	WATER PRESSURE SWITCH		1.0
6	3226173	RUBBER HOOD FOR PRESSURE SWITCH		1.0
7	3238346	FITTING		1.0
8	3224176	RUBBER COVER		1.0
9	3223625	PRESSURE GAUGE/MORTAR PUMP		1.0

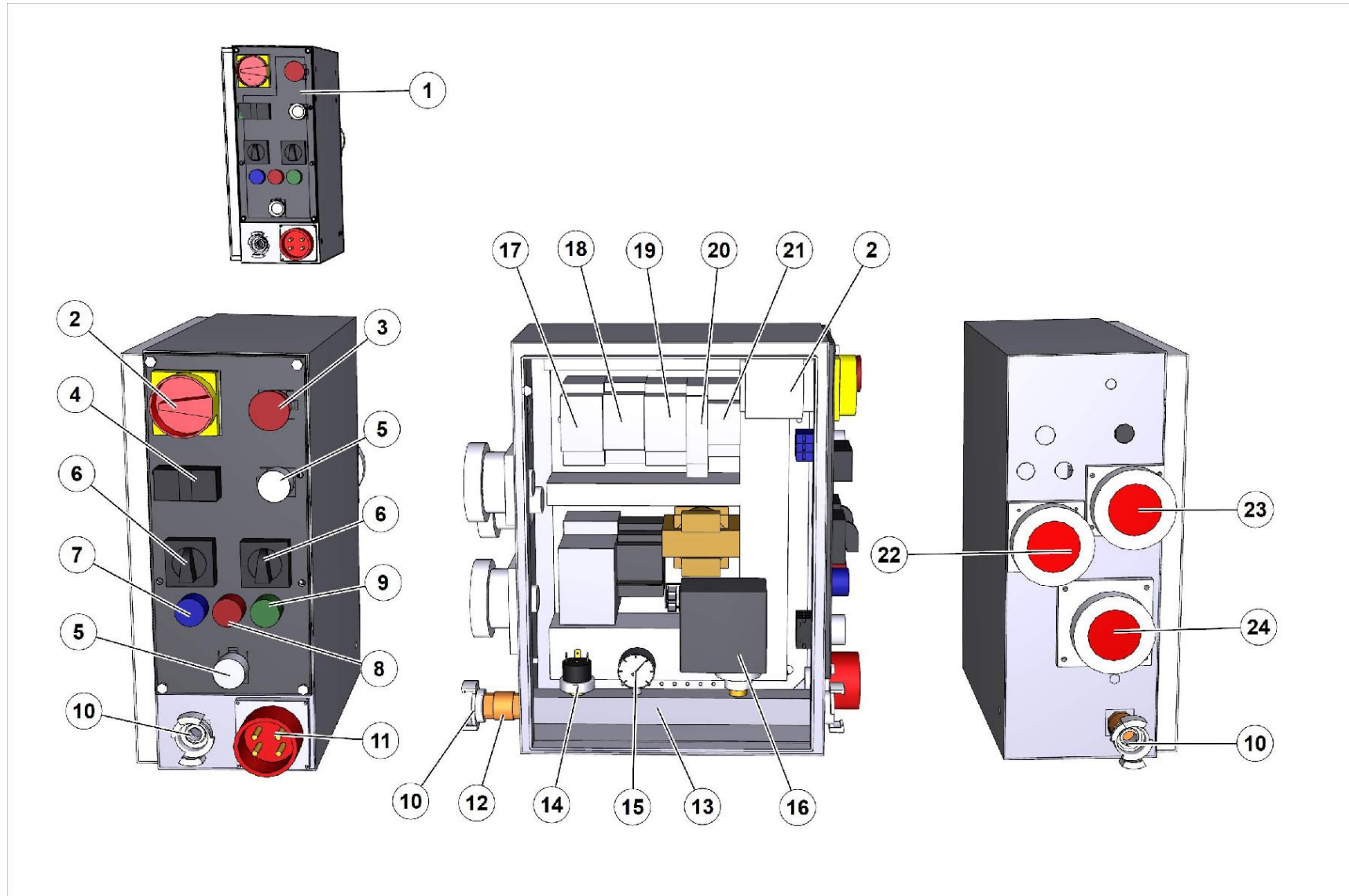
TURBO MIXER FOR STATOR "D"





N.	CODE	DESCRIPTION	UM	QTY
1	3223703	'CAM CONNECTION DN35 M-1 "1/4" G M'		1.0
10	3236060	CAP TURBO MIXER SCREW R GALVANIZED		1.0
11	3224329	RING OR 8-215 D.139.7X5.34		1.0
12	3237380	KOINE 4 TURBOMIXER MOUNTED		1.0
13	3223794	KOINE TURBOMIXER BASE		1.0
14	1106325	TURBOMIX KOINE 4/5 'R' SERIES		1.0
2	3236057	KOINE 4 BODY PRESSURE GAUGE GALVANIZED		1.0
3	3223392	MANOMETER'S MEMBRANE/MORTAR PUMP		1.0
4	3225902	SPACER/SCREW PUMP		1.0
5	3224173	REDUCTION		1.0
6	3223609	REDUCER		1.0
7	3223689	MANOMETER/SCREW PUMP		1.0
8	1222004	1222004 BOLT		2.0
9	3236056	KOINE PRESSURE GAUGE COVER		1.0

ELECTRIC PANEL



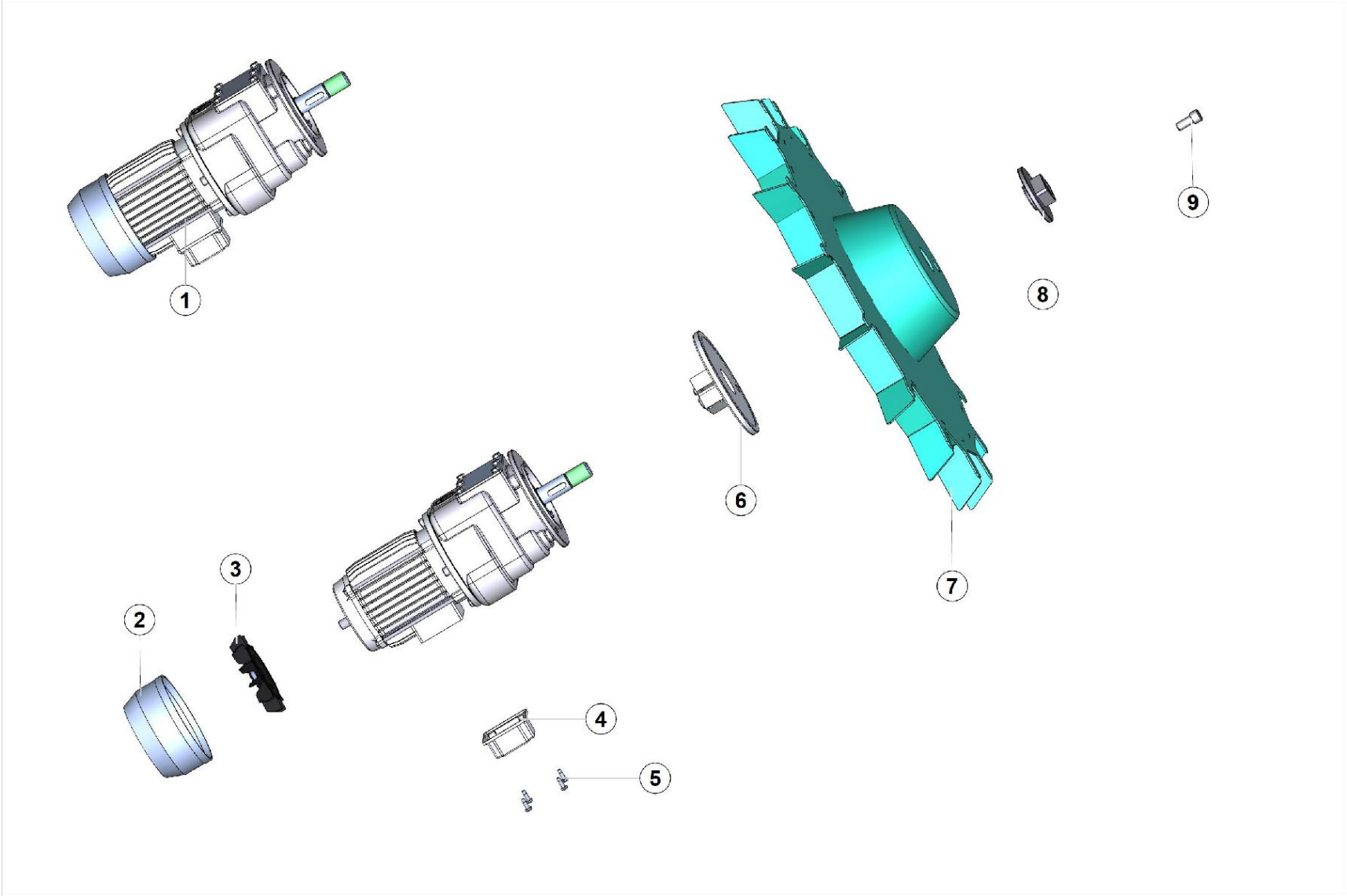


N.	CODE	DESCRIPTION	UM	QTY
1	3223420	ELECTRICAL PANEL		1.0
10	3224203	RAPID FIXATION/SCREW PUMP		3.0
11	3225244	PLUG		1.0
12	3224360	VALVE/SCREW PUMP		1.0
13	3225429	AIR HOSE		1.0
14	3223630	WATER PRESSURE SWITCH		1.0
15	3225231	PRESSURE GAUGE		1.0
16	3225234	PRESSURE SWITCH		1.0
17	3225223	THERMAL SWITCH		1.0
18	3225224	CONTACTOR 2,5-4A + CONT.1NO+1NC		1.0
19	3225225	THERMAL SWITCH 1.6-2.5 + CONT.1NO + 1NC		1.0
2	3226836	INVERTER/SCREW PUMP		2.0
20	3225226	RELAY		1.0
21	3225233	FUSE HOLDER		1.0
22	3225245	SOCKET		1.0
23	3225246	SOCKET		1.0
24	3225235	SOCKET		1.0
3	3225237	EMERGENCY PUSHBUTTON		1.0
4	3225240	START/STOP BUTTON+LIGHT D.22		1.0
5	3225238	GREEN BUTTON D.22 COMPLETE		2.0
6	3225250	SWITCH		2.0



N.	CODE	DESCRIPTION	UM	QTY
7	3225241	COMPLETE BLUE LED+LAMP 24V		1.0
8	3225242	COMPLETE RED LED+LAMP 24V		1.0
9	3225243	COMPLETE GREEN LET + LAMP 24V		1.0

CELL WHEEL GEARMOTOR





N.	CODE	DESCRIPTION	UM	QTY
1	3227550	GEARMOTOR RUOTA CELLE KOINE 4/5 N		1.0
2	3230488	FAN COVER		1.0
3	3226240	FAN		1.0
4	3230578	COVER		1.0
5	2222465	SCREW		4.0
6	3223377	WHEEL SUPPORT		1.0
7	3238264	CELL WHEEL		1.0
8	3223376	FLANGE		1.0
9	3200389	SCREW TCEI 5931 12X 25 Z		1.0



Access Platform Division

Via San Francesco d'Assisi, 8 - 46020 Pegognaga (Mantova) - ITALY Tel. +39 0376 554011 - Fax +39 0376 559855

www.imergroup.com

Building Equipment Division

Via della Meccanica, 39 (Zona Industriale Sentino) - 53040 Rapolano Terme (Siena) - ITALY - Tel. +39 0577 97341 - Fax +39 0577 704077

www.imergroup.com